



Space Efficient



Cost Effective



Operational Benefits

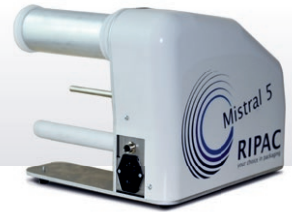


# Mistral 5

COMPACT AIR CUSHION SYSTEM

# Mistral 5

## COMPACT AIR CUSHION SYSTEM



RIPAC is proud to present the universal air cushion system, **Mistral 5** which produces a quilted material for cushioning, blocking & bracing as well as air pillows for void fill solutions.

At a lightning speed of 20m/min of inflated air pillows, the **Mistral 5** belongs to one of the world's fastest machines with a low noise level of <68db.

The **Mistral 5** is designed to operate by the touch of a single start/stop button. Furthermore can be integrated into your packing station by either a fill level sensor or foot switch.

- ⦿ **New sealing technology, no Teflon Belts**
- ⦿ **Low maintenance**
- ⦿ **Compact Portable system**
- ⦿ **User friendly, single button operation**
- ⦿ **Film flexibility - pillows or quilt**



Aeolos



Anemoi

### PACKING METHODS

- VOID FILL** fills empty spaces and prevents products against transit damage.
- WRAP** covers product surface to avoid contact damage providing protection against scratching.
- CUSHION** protects fragile products.
- BLOCK & BRACE** stabilizes heavy products or individual articles in their position.



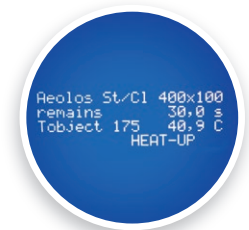
Small & Compact



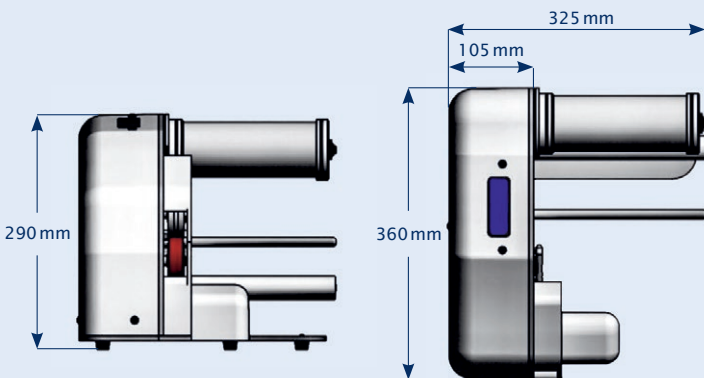
Low Maintenance



Fast & Reliable



Wifi Controlled



Dimensions (LxWxH)	360x325x290 mm
Max. Weight Machine	9,0 kg
Power Supply	230V AC 50/60 Hz
Noise Level max.	68 dba @ 1 Meter
Max. packaging capacity	20 m/min

#### Film Material

Material	Aeolos/Anemoi
Thickness	classic/premium
Min./Max. width	200mm/450 mm
Meter/roll	1000 m

### IDEAL MARKETS

Computer & peripherals · Medical & dental supplies · Industrial products · Party supplies · Aerospace · Cosmetics · Electronics · Book publishers · Pharmaceutical · Glass products · Automotive · Housewares · Shipping stores · Collectibles · Fulfilment · E-Retailers

RIPAC is committed in supplying our Customers with the best solution at an affordable price. We do this by having a wide range of packaging equipment and film options to suit your packaging needs. With a dedicated sales force, call us today to see what we can do for you.



**RIPAC GmbH**  
Kölner Landstraße 103 D-41515, Grevenbroich Germany  
Phone +49 2181 75 660 8, info@ripac-film.com, www.ripac-film.com